



CHEM-TECH

PULSAFEEDER



100/150 SERIES

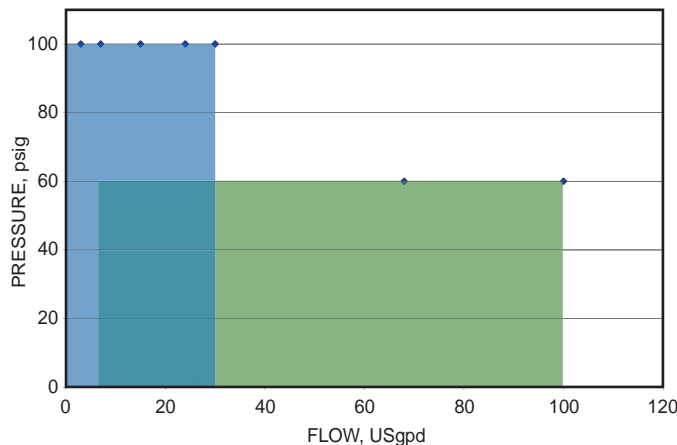
The standard by which all other dosing pumps are judged, **Chem-Tech 100/150 Series** pumps with motorized-diaphragm technology deliver dependable performance and extended longevity. The **100/150 Series** provides quiet, consistent metering over long periods of time in a compact form.

A tried-and-true electric motor transfers power via a sealed gear-box and eccentric cam for smooth, **reliable** dosing.

Simple, adjustable system with knob and locking lever provide **easy** flowrate control and turndown.

The compact, injection-molded housing and clear pump head offer both **affordability** and chemical resistance.

The industrial grade, low-stress diaphragm provides **long life**, even in harsh conditions and continuous duty cycles.



Series 100 Models - The preferred metering pump for water conditioning professionals around the world. Perfect for applications where economical, consistent performance is required. Capable of a wide range of flows, from less than 3 USgpd up to 30 USgpd and pressures up to 100 psig.

Series 150 Models - Built upon the same solid platform as the 100 Models, these units are capable of higher flow-rates. With a range offering up to 100 USgpd, the Series 150 can meet the demands of larger applications. Maximum pressure is 60 psig.

Duplex Models - Both the Series 100 and 150 Models can be configured as duplex units capable of dosing 2 chemicals at different rates.

Guided quad check valve system

Chemical Resistant Materials

Bleed Valve Assembly

Feed Rate Control

Self Priming

Sealed Gear Train

Simple Installation



X030-XA-AAAAXXX

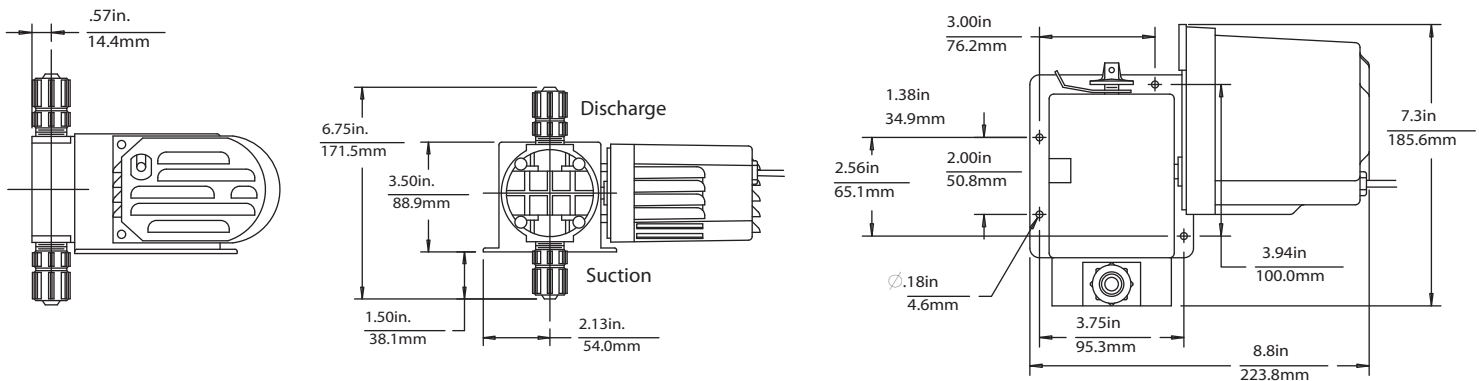
Chem-Tech Series 100 / 150 Model Selection Guide

MODELS:	<p>Series 100, Maximum Pressure 100 psig (7 bar) X003 = 3 USgpd (0.47 lph), 7 SPM, 0.30 FLA @ 115V X007 = 7 USgpd (1.00 lph), 13 SPM, 0.42 FLA @ 115V X015 = 15 USgpd (2.34 lph), 25 SPM, 0.59 FLA @ 115V X024 = 24 USgpd (3.78 lph), 51 SPM, 0.75 FLA @ 115V X030 = 30 USgpd (4.72 lph), 51 SPM, 0.79 FLA @ 115V</p> <p>Series 150, Maximum Pressure 60 psig (4.2 bar) X068 = 68 USgpd (10.71 lph), 51 SPM, 1.0 FLA @ 115V X100 = 100 USgpd (15.76 lph), 70 SPM, 1.0 FLA @ 115V</p>
ELECTRICAL:	XA = 115V, 60Hz XB = 230V, 50Hz XC = 230V, 60Hz
WETTED MATERIALS <small>Pump Head, Fittings/Seats & O-Rings, Balls (Consult factory for additional configurations)</small>	AAA = SAN/PVC, Hypalon, Ceramic AAB = SAN/PVC, Hypalon, TFE ABA = SAN/PVC, Viton, Ceramic ABB = SAN/PVC, Viton, TFE ACA = SAN/PVC, TFE/Viton, Ceramic AHA = SAN/PVC, TFE/Hypalon, Ceramic BAA = PVC, Hypalon, Ceramic BAB = PVC, Hypalon, TFE BBA = PVC, Viton, Ceramic BBB = PVC, Viton, TFE BHA = PVC, Teflon/Hypalon, Ceramic
CONNECTION SIZES:	A = Tubing 0.44" PVC suction, 0.50" PE discharge C = Tubing 0.38" PVC suction, 0.38" PE discharge F = Tubing 0.44" PVC suction, 0.50" Black PE discharge S = Tubing 0.38" PVC suction, 0.38" Black PE discharge
SUFFIX CODES	XXX = Standard 001 = Current Interrupter 500* = Five Function Valve 520* = Five Function Degas Valve ITS = 15 USgal ITS Tank System

Example complete part number: X030-XA-AAAAXXX

Specifications		Optional
Max. Viscosity	300 Cps	
Enclosure		
Temperature Limitations	125F / 51C max.	
Electrical Requirements	1/6 HP, 115V / 60 Hz	230V / 60Hz or 230V / 50Hz
Shipping Weight	8 lbs. / 3.63kg.	

* Specifications subject to change without notice



An ISO Certified Company

PULSAFEEDER

IDEX
FLUID & METERING

CTI-001 CO8

Standard Product Operations
 27101 Airport Road • Punta Gorda, Florida 33982
 TEL (941) 575-3800 • TEL 800-333-6677
 FAX (941) 575-4085 • FAX 800-456-4085
 spotech@idexcorp.com • www.pulsafeeder.com